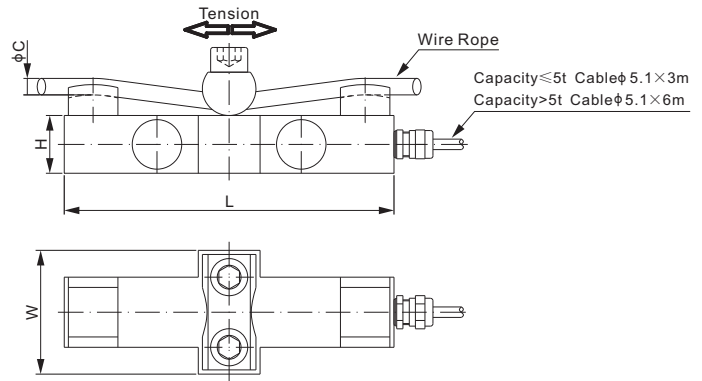
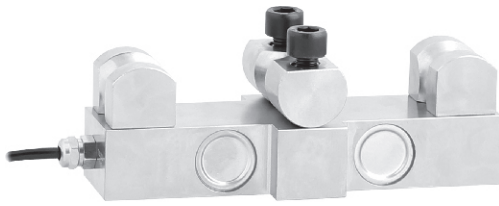


107CH

Alloy Steel

WIRE TENSION LOAD CELL



DIMENSIONS

RATED CAPACITY	C(wire rope)	H	L	W
kN/mm				
10	6-14	28.0	160.0	60.0
20	10-18	28.0	160.0	60.0
50	16-26	34.0	180.0	68.0
100-140	24-36	40.0	200.0	80.0
200	24-36	46.0	240.0	90.0
kN/inches (conversion of above dimensions)				
10	0.24-0.55	1.10	6.30	2.36
20	0.39-0.71	1.10	6.30	2.36
50	0.63-1.02	1.34	7.09	2.68
100-140	0.94-1.42	1.57	7.87	3.15
200	0.94-1.42	1.81	9.45	3.54

SPECIFICATIONS

Full Scale Output	1.0 - 1.5 mV/V	Element Material	Alloy Steel, Nickel Plated	
Zero Balance	< ± 1%	Recommended Excitation	10V	
Non-linearity	< ± 0.3%	Insulation Resistance	> 5 [50V DC] GΩ	
Repeatability	< ± 0.3%	Compensated Temperature Range	-20°C to 65°C / -4°F to 149°F	
Hysteresis Error	< ± 0.3%	Safe Overload	150% of full scale	
Creep in 30 min.	< ± 0.05%	Seal Type / IP Rating	Environmentally Sealed / IP67	
Input Resistance	750 Ω ± 15	Cable Color Code	Exc+ Red	Exc- Black
Output Resistance	700 Ω ± 5		Sig+ Green	Sig- White

PART NUMBER

Rated Capacity	Part No.	Weight (kg) Approx.
10kN.....	107CH-10kN.....	2.2
20kN.....	107CH-20kN.....	2.2
50kN.....	107CH-50kN.....	3.5
100kN.....	107CH-100kN.....	5.2
200kN.....	107CH-200kN.....	8.5